

QER10 - MER10 - VER10 - TER10 (0-10V ONLY)

CO₂, TVOC, TEMPERATURE AND HUMIDITY SENSORS



Bluetooth

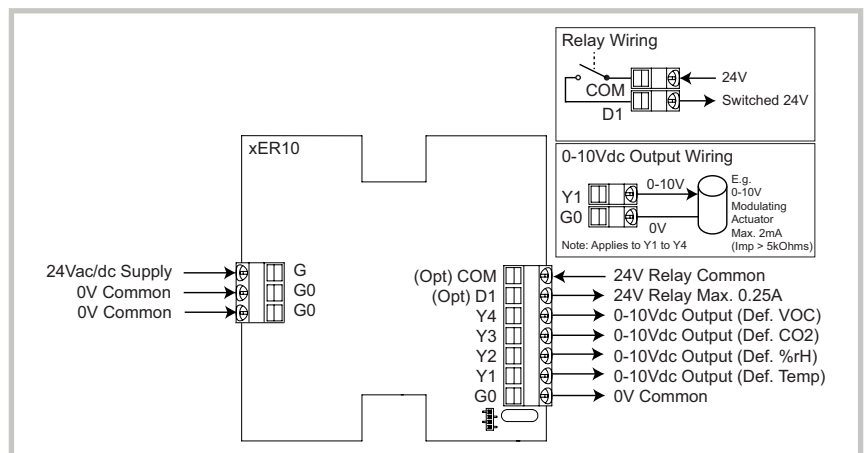
The QER10/MER10/VER10/TER10 Series Multi-Sensors have been designed for monitoring and control CO₂, VOC, Temperature, Humidity and Occupancy in room spaces and have 4 x 0-10Vdc outputs for measurements. The xER10 series sensors are wall surface mounted. The sensors can have an optional colour display with high hardness glass front, and/or additional PIR sensor. Touchscreen option is available to use the sensors as setpoint adjusters. Sensors have also integrated temperature, CO₂, VOC and humidity control loops. Optional Bluetooth wireless interface provides Smart Phone App interface (iOS). Programmed over serial cable or Bluetooth using PC or iOS Tools.

Technical Details Summary

Power:	24Vac/dc, max 80mA with Touchscreen
CO ₂ :	Range: 0..5,000ppm Accuracy: ±30ppm ±3.0% m.v.
Temperature:	Range: 0..50° (32..122°F) Accuracy: ±0.5°C (typical accuracy +/-0.3°C, 18-24°C)
VOC/TVOC:	Volatile Organic Compound/Total Volatile Organic Compound Range: Air Quality Index : 0..500 TVOC Ethanol: 17..4491 ug/m ³ / / 9..2383 ppb TVOC Molhave (WELL Building Standard®): 23..6621 ug/m ³ / 5..1326 ppb TVOC Isobutylene (RESET® Standard): 21..5482 ug/m ³ / 9..2389 ppb Device to Device Variation: ±10 index points
Humidity:	Range: 0..100%rH Accuracy: ±2%rH (within 20 to 80%rH)
PIR:	Occupancy Detection, Range: 5m
Analogue Outputs:	4 x Analogue 0-10Vdc Outputs, max 2mA
Digital Outputs:	1 x Optional 24V Pilot Relay, max 1.0A res.
Display:	Full Colour 2.4" LCD, 240x320px
Touch:	Capacitive Touchscreen
Terminals:	Rising Cage Screw Terminals, 0.2 to 2.5mm ² / 26 to 12 AWG
Enclosure:	ABS ULV0 Plastics - White or Black, IP30 Hardened Glass for Display/Touch
Dimensions:	W86 x H86 x D24mm
Origin:	United Kingdom

Part Number		SKU# Number	
Product Name	Code	Product Options	
QER10 Room CO ₂ and Temperature Multi-Sensor, 4AO, 24Vac/dc Supply	1000		
MER10 Room Humidity and Temperature Multi-Sensor, 4AO, 24Vac/dc Supply, 2% Acc	1100		
TER10 Smart Room Temperature Sensor, 4AO, 24Vac/dc Supply	1200		
VER10 Room VOC, Humidity and Temperature Multi-Sensor, 4AO, 24Vac/dc Supply	1300		
Communications Options			
0-10Vdc Analogue Outputs		0	
Interface Options			
No Interface			00
LCD Colour Display			01
TS Colour Capacitive Touchscreen			02
BLE Bluetooth App Interface			03
LCD-BLE Colour Display and Bluetooth			04
TS-BLE Touchscreen and Bluetooth			05
LRA LoraWan Wireless Interface, EU868Mhz			06
Measurement Options			
No Extra Measurements			00
RH Relative Humidity (QER Only)			01
RH-VOC Volatile Organic Compound and Humidity (QER Only)			02
OE Passive Infrared Sensor (PIR)			03
RH-OE Relative Humidity and PIR (QER Only)			04
RH-VOC-OE VOC, Relative Humidity and PIR (QER Only)			05
Output Options			
No Output Options			00
RL 24V Relay Output			01
Colour Options			
B Black			01
W White			02

Order Example: QER10-W, SKU# 1000 0 00 00 00 02



DIMENSIONS (xER10 SERIES)

