

QCR13 - TCR13

SLIMLINE CO2 AND TEMPERATURE TOUCH CONTROLLERS (rH, VOC, PIR), 3 x FAN RELAYS



Bluetooth

BACnet LoRaWAN Modbus

The TCR13/QCR13 Series Controllers have been designed to be wall mounted universal temperature, air quality, humidity controllers in room spaces. The xCR13 series controllers are suitable for a wide range of applications including fan coil units. The controllers have 3 x 250Vac rated relays for fan and valve control. The xCR13 controllers are Slimline flush mounted with additional IOs to standard wall mounting boxes. The room controllers are typically supplied with a sharp colour touchscreen display with glass front that provides intuitive user interface. An optional PIR sensor is available. The controllers have built-in Modbus RTU or BACnet MS/TP communication that allow interaction to the BMS systems. Optional Bluetooth wireless interface provides Smart Phone App interface (iOS). LoraWan option allows integration wirelessly to the LoraWan systems.

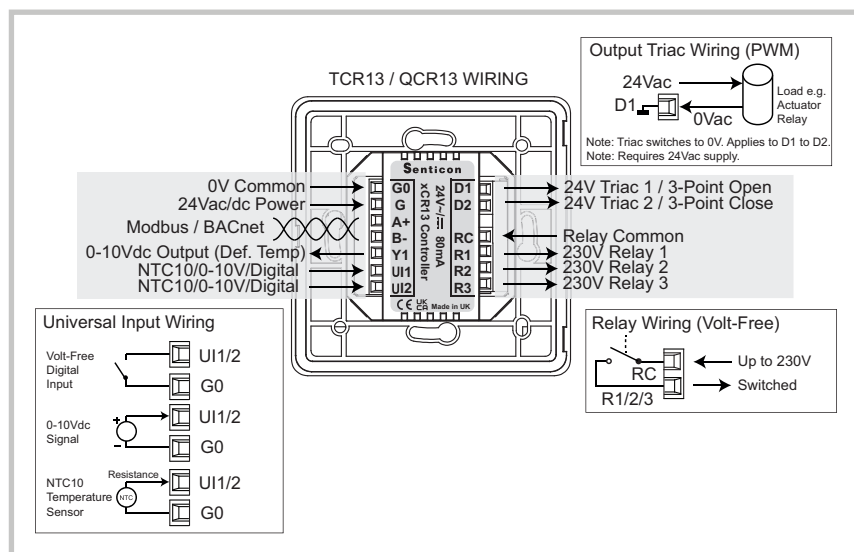


Technical Details Summary

Power:	24Vac/dc, max 80mA with Touchscreen Note: Triacs require 24Vac supply.
Temperature:	Range: 0.50° (32..122°F) Accuracy: ±0.5°C
CO2 (QCR Models):	Range: 0.5..5000ppm Accuracy: ±30ppm ±3.0% m.v.
Humidity (Option):	Range: 0..100%rH Accuracy: ±2%rH (within 20 to 80%rH)
VOC (Option):	Volatil Organic Compound Range: Air Quality Index : 0..500 Device to Device Variation: ±10 index points
PIR (Option):	Occupancy Detection, Range: 5m
Inputs:	2 x Universal Inputs, NTC10, 0-10V, Digital
Analogue Outputs:	1 x Analogue 0-10Vdc Output, max 2mA
Digital Outputs:	2 x 24Vac Rated Triacs, Switching to 0V, Max 1A load
Relay Outputs:	3 x 230Vac, max 5A (res.)
Communications:	Modbus RS485 or BACnet MS/TP, with 60V Fault Tolerance, 1/10 Unit Load
Wireless:	Bluetooth Interface to SmartPhone App or BLE USB Dongle LoraWan® Wireless Interface (EU868, US915, AS923)
Display:	Full Colour 2.4" LCD, 240x320px
Touch:	Capacitive Touchscreen
Terminals:	Rising Cage Screw Terminals, 0.2 to 2.5mm ² / 26 to 12 AWG
Enclosure:	ABS ULV0 Plastics - White or Black, IP30 Hardened Glass ≥6H for Display/Touch
Dimensions:	W86 x H86 x D24mm W86 x H86 x D13.8mm (Surface Part) W86 x H86 x D39mm (Total)
Origin:	United Kingdom

Part Number		SKU# Number	
Product Name	Code	Product Options	
TCR13 Slimline Room Temperature Controller, 2DO, 3RO (230V), 1AO, 24V Supply	5600		
QCR13 Slimline Room Temperature and CO2 Controller, 2DO, 3RO (230V), 1AO, 24V Supply	5650		
Communications Options			
MOD Modbus RS485, Up to 60V Protection		1	
BAC BACnet MS/TP, Up to 60V Protection		2	
Interface and Wireless Options			
No Interface (Blank Front)		00	
TS Colour Capacitive Touchscreen		02	
BLE Bluetooth App Interface		03	
TS-BLE Touchscreen and Bluetooth		05	
LRA LoraWan Wireless Interface, EU868Mhz		06	
TS-LRA LoraWan Wireless Interface EU868 with Touchscreen		08	
Measurement Options			
No Extra Measurements		00	
RH Relative Humidity, 2% Acc		01	
RH-VOC Volatile Organic Compound and Humidity		02	
OE Passive Infrared Movement Sensor (PIR)		03	
RH-OE Relative Humidity and Movement (PIR)		04	
RH-VOC-OE VOC, Relative Humidity and PIR		05	
Colour Options			
B Black		00 01	
W White		00 02	

Order Example: TCR13-MOD-TS-RH-W, SKU# 5600 102 01 00 02



DIMENSIONS (xCR12/xCR13/xCR14/xCR15 SERIES)

