

QCR02 / QCR03 - TCR02 / TCR03

SLIMLINE CO2 AND TEMP CONTROLLERS WITH COLOUR SCREEN AND TACTILE BUTTONS



The xCR02/xCR03 Series Slimline controllers (only 13.8mm from wall) have been designed to be wall mounted temperature and air quality controllers in room spaces.

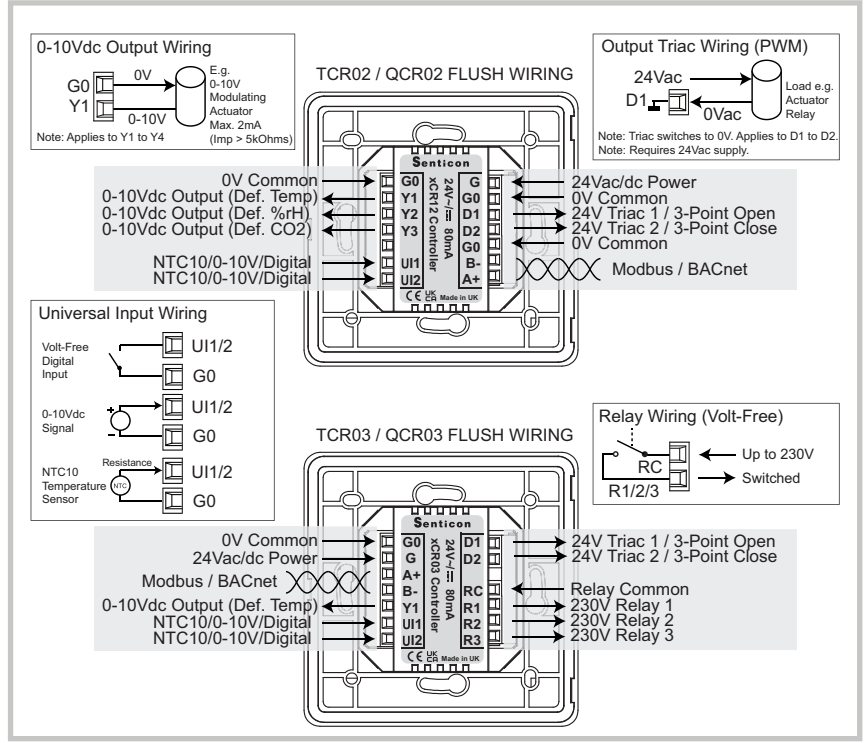
The controllers are suitable for a wide range of applications and have pre-defined application logic that covers most room control heating and cooling systems such as fan coil units, chilled ceilings, zone heating etc. The room controllers have full colour LCD screen indicating the current measurement and controller operating status. The user can adjust the setpoint and fan speed/operating mode/boost through the push buttons. The controllers are flush mounted to standard wall mounting boxes. The controllers have built-in Modbus RTU or BACnet MS/TP communication that allow interaction to the BMS systems.



Technical Details Summary	
Power:	24Vac/dc -10%/+15%, max 40mA with display Note: Triacs require 24Vac supply.
Temperature:	Range: 0..50° (32..122°F) Accuracy: ±0.5°C
CO2 (QCR Models):	Range: 0..5,000ppm Accuracy: ±30ppm ±3.0% m.v.
Inputs:	2 x Universal Inputs, NTC10, 0-10V, Digital
Analogue Outputs:	xCR02: 3 x Analogue 0-10Vdc Outputs, max 2mA xCR03: 1 x Analogue 0-10Vdc Output, max 2mA
Digital Outputs:	2 x 24Vac Rated Triacs, Switching to 0V, Max 1A load
Relay Outputs:	3 x 230Vac, max 5A (res.)
Communications:	Modbus RS485 or BACnet MS/TP, with 60V Fault Tolerance, 1/10 Unit Load
Display:	Full Colour 2.4" LCD, 240x320px Cover Glass Hardened ≥6H
Buttons:	2B models: 2 Tactile Push Buttons; Setpoint Up, Setpoint Down 3B models: 3 Tactile Push Buttons; Setpoint Up, Setpoint Down, Fan Speed (standard model), Operating Mode (OM models), Boost (BST models)
Terminals:	Rising Cage Screw Terminals, 0.2 to 2.5mm ² / 26 to 12 AWG
Enclosure:	ABS ULV0 Plastics - White or Black, IP30
Dimensions:	W86 x H86 x D24mm W86 x H86 x D13.8mm (Surface Part) W86 x H86 x D39mm (Total)
Origin:	United Kingdom

Part Number		SKU# Number	
Product Name	Code	Product Options	
TCR02 Slimline Room Temperature Controller, 2UI, 3AO, 2DO, 24V Supply	4200		
QCR02 Slimline Room Temperature and CO2 Controller, 2UI, 3AO, 2DO, 24V Supply	4300		
TCR03 Slimline Room Temperature Controller, 2UI, 2DO, 3RO, 1AO, 24V Supply	4400		
QCR03 Slimline Room Temperature and CO2 Controller, 2UI, 2DO, 3RO, 1AO, 24V Supply	4500		
Communications Options			
MOD Modbus RS485, Up to 60V Protection	1		
BAC BACnet MS/TP, Up to 60V Protection	2		
Interface			
LCD-2B Colour LCD Display with Two Buttons	22		
LCD-3B Colour LCD Display with Three Buttons	23		
LCD-3B- Setpoint Up and Down, Boost Button	33		
LCD-3B- Setpoint Up and Down, Operating Mode Button	43		
Measurement Options			
No Extra Measurements		00	
OE Passive Infrared Movement Sensor (PIR)		03	
Colour			
W White			00 02

Order Example: QCR02-BAC-LCD-3B-W, SKU# 4300 2 23 00 00 02



DIMENSIONS (xCR02/xCR03 SERIES)

